

# SENECA EXL SERIES PREMIUM LOCKUPS

5DOC53003

**SENECA**  
DAIRY SYSTEMS



Innovation - Experience - Support  
POWERED BY SENECA IRON WORKS



The **SIMPLICITY** of **YESTERDAY**  
meets the **TECHNOLOGY** of **TODAY**



Watch the EXL Video



**SENECA**  
DAIRY SYSTEMS  
Innovation - Experience - Support  
POWERED BY SENECA IRON WORKS

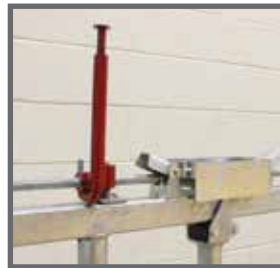
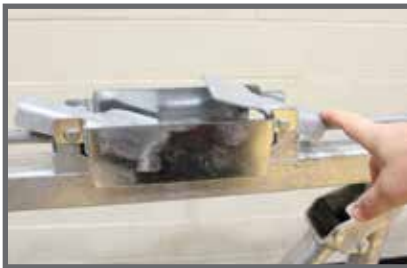
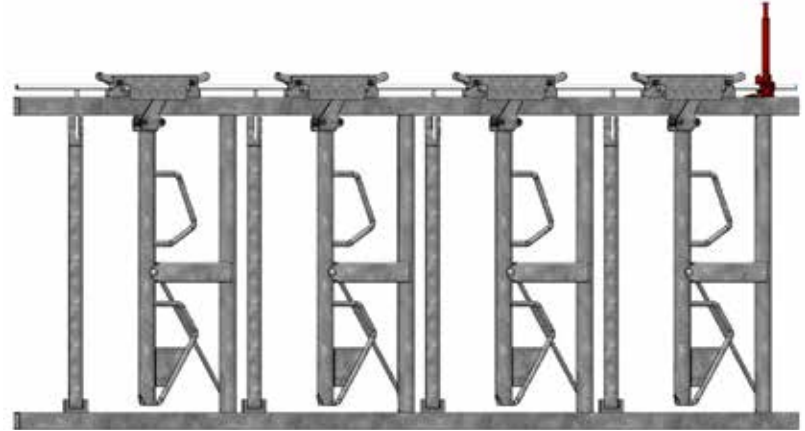
**(888) 3-SENECA**

3-7 3 6 3 2 2

More Than a Supplier, A PARTNER.  
[senecadairysystems.com](http://senecadairysystems.com)

### MEET THE SENECA EXL LOCKUP

**SENECA** is more than just an equipment supplier; we are a partner with those who put their trust in us. When our customers succeed, so do we. **SENECA** listened to the concerns and needs of our customers and designed a new lockup that combines oldschool simplicity and reliability of with innovative technology of today to create what is arguably the most practical headlock in the industry, *The EXL Lockup!*



LEFT: EASY TAP / RELEASE PADDLES ON THE TOP OF THE HEADLOCK. ALSO SHOWN IS THE ANTI-TAMPER GUARD COVERING THE LOCKING MECHANISMS. RIGHT: SIMPLE AND HIGHLY VISIBLE RED HANDLE SIGNALS A LOCKED SECTION.



### SERIES GENERAL FEATURES

- **Auto Swingarm Return** – *EXL* Swingarms are perfectly balanced so they auto return every time.
- **Simple Handle** - The *EXL* handle is easy to use. It can be mounted in any location between locks. Additionally you can see if a section is locked from across the barn by its handle position.
- **Tamper Resistant** - A protective anti-tamper guard covers the top locking mechanism to keep cows from unlocking another cows headlock.
- **Easy “TAP” Release** – No levers, tabs, or catches to fuss with. Just tap the top flipper for release.
- **\*Optional Removable Adjustment Bars** – Locks can be adjusted to fit every size animal in multi-use barns.
- **Super Easy Installation** - *EXL*'s classic & simple overall design makes it a breeze to install and use.

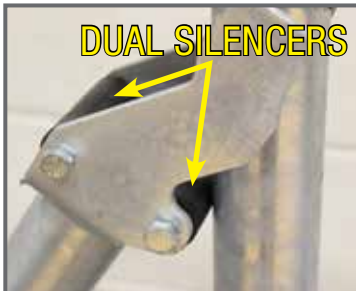
*\*Default style is fixed width*

### COMFORT FOR HER, AND FOR YOU

The **SENECA EXL** lockups were designed with comfort in mind. Cow comfort; to ensure a more stress-free experience for your herd which will mean higher milk yields. And Your Comfort; the comfort in knowing you have made a sound investment in a SENECA product that will provide many years of injury-free and reliable operation.

### COMFORT & SAFETY

- **Ultra-Quiet Swingarm Return** - Dual Rubber Silencers on swingarms ensure a quieter barn.
- **Down Cow Safety** - Enlarged bottom release openings provide added safety for down cows.
- **Blocked Lower Access** - Encapsulated lower swingarm guards eliminate snagged neck collars during use.
- **Wide Opening** - Ergonomically designed yolks maximize the available head opening and will not bind with adjacent swingarms.
- **Offset Bushings** - Eliminate cow neck irritation caused by rubbing on the T bar.



LEFT: DUAL RUBBER SILENCERS ENSURE A QUIET SWINGARM OPEN AND RETURN.  
RIGHT: ENCAPSULATED LOWER SWINGARM GUARDS

### BUILT TO LAST

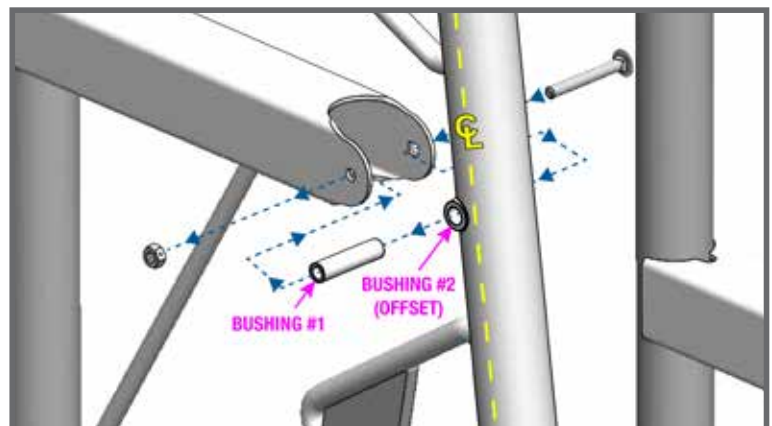
**SENECA**, understands that your lockups are an investment in your business and your future. That's why we use only the finest heavy-duty galvanized steel tubing. The **SENECA EXL** Lockup is **Built To Last!**



ABOVE: ERGONOMICALLY DESIGNED YOLK PREVENTS SWINGARM BINDING

### QUALITY & LONGEVITY

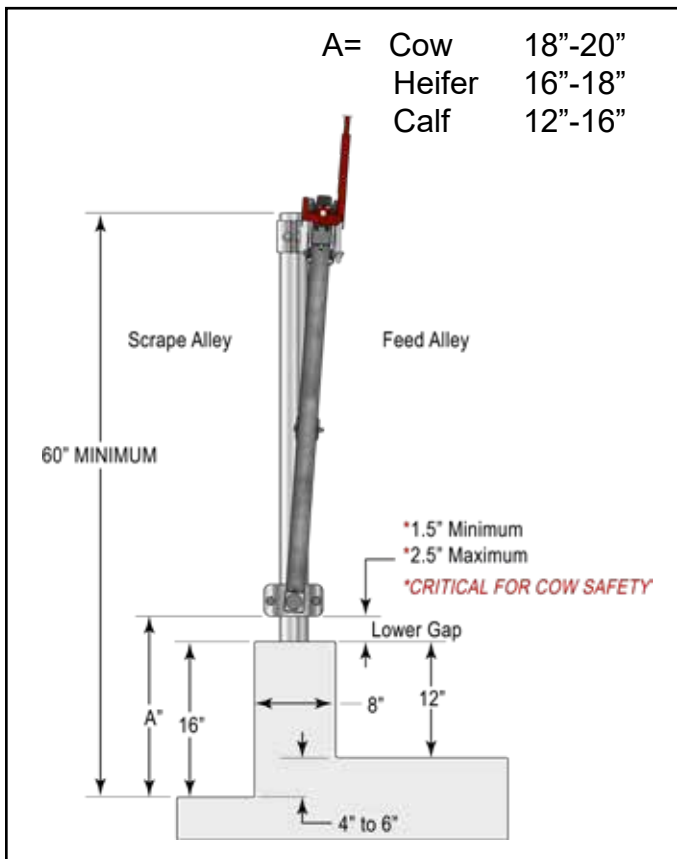
- **Ultra-Heavy Design** – 20% Heavier = 2x life
- **All Hot-Dip Galvanized Construction.**
- **Double Bushings** – Reduce swingarm and pivot-bolt wear ensuring longer life. Cinch bolts tighter to avoid loosening swingarms.
- **Reinforced Construction** - Rods are inserted (full penetration) and welded for added strength, as opposed to simple butt joint welds.
- **Sleek Design** - Balancing rods and guards are flush mounted to keep skid steers from catching and damaging the lockups.



ABOVE: OFFSET DOUBLE BUSHINGS MINIMIZE SWINGARM AND BOLT WEAR WHILE ELIMINATING COW NECK SORES FROM RUBBING ON THE "T" BAR.



EXL Lockups by Weight	300 lbs	400 lbs	500 lbs	600 lbs	700 lbs	800 lbs	900 lbs	1000 lbs	1100 lbs	1200 lbs	1300 lbs	1400 lbs	1500 lbs	1600 lbs
Adjustable Calf		300-450												
Standard Heifer			400-850											
Post Bred							800-1100							
Adjustable Cow					650-1600									
Standard Cow							900-1600							



### MOUNTING SPECIFICATIONS

When installing posts to mount your lockups, we recommend 3"-4" between the face of the post and the edge of the curb. This keeps lockups behind the edge of the curb.

EXL Series Lockups		
	LENGTHS	# OF LOCKS
Adjustable Calf	8'-10'-12'	6L-7L-9L
Standard Heifer	8'-10'-12'	5L-6L-7L
Post Bred	10'-12'	6L-7L
Adjustable Cow	8'-10'-12'	4L-5L-6L
Standard Cow	8'-10'-12'	4L-5L-6L