

STAINLESS TIP-TANK WATERER

Installation specs and dimensions

5DOC34000

rev. 11/21



Innovation - Experience - Support
POWERED BY SENECA IRON WORKS

Installation Guidelines

PAD DIMENSIONS: Concrete pad should be 14" wider than the model length of the waterer. (a 14' waterer would have a pad 15' 2" wide) The pad should be 22" deep from the back wall for all models. Pad height will vary based on the size of the animal. (see the Chart #2 below)

MOUNTING: Do NOT pre-drill holes in the concrete pad! Wait until you get the tip tank on site. Waterer should be mounted so that there is a minimum of 2.5" of space between the edge of the pad and foot on all sides. This will keep the concrete from breaking out when screwed down.

If there is a wall or obstruction behind the tank, ensure that there is at least 2.5" of clearance between the back wall and water inlet. *NOTE: Any less and you may need to consider pouring a deeper pad.*

When installing a water guard, there should be 24" between the top of the drinking edge of the tank and the bottom of the guard. (see Figure 1)

Consider what is behind your waterer. If there are stalls or pens near the water tank you should install a Back Splash to prevent water from splashing into the bedding.

Anti-freeze valves or heaters can be installed at any time after installation, if necessary.

Figure 2

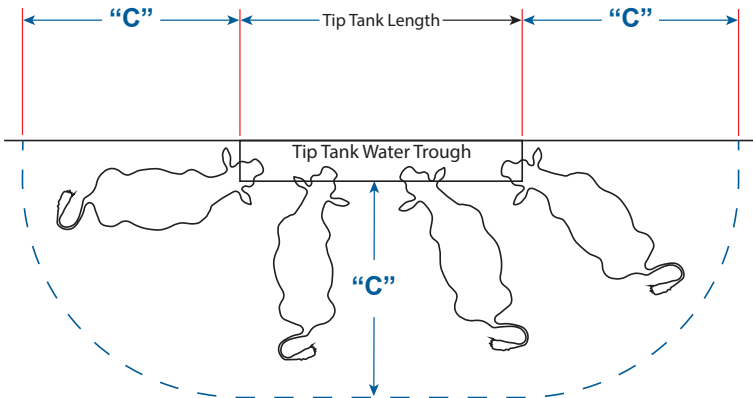


Figure 1

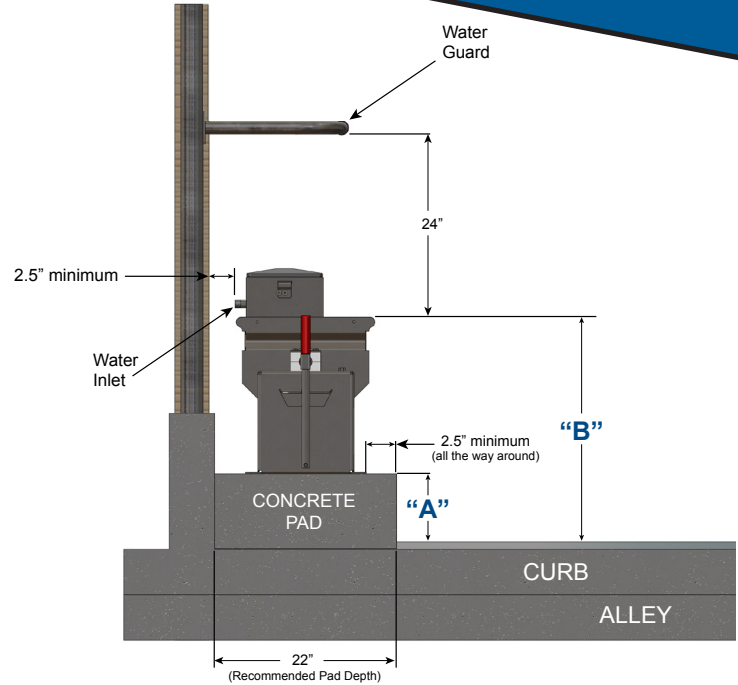


Chart #1

CONCRETE PAD				
Item #	Tank Length	Minimum Length (side to side)	Minimum Depth (front to back)	Recommended Height - "A"
3W02200	4'	62"	22"	See Chart #2
3W02250	6'	86"	22"	See Chart #2
3W02300	8'	110"	22"	See Chart #2
3W02350	10'	134"	22"	See Chart #2
3W02400	12'	158"	22"	See Chart #2
3W02450	14'	182"	22"	See Chart #2

Chart #2

RECOMMENDED WATER ACCESS FOR CALVES, HEIFERS & COWS			
Calf or Heifer Weight (lbs.)	Concrete Pad Height - "A"	Tank Rim Height - "B"	Minimum Standing Space Length - "C"
Weaned calves	No Pad	21"	80"
300 - 500	4"	25"	80"
500 - 700	6"	27"	96"
700 - 900	8"	29"	108"
900 - 1300	8" - 10"	29" - 31"	120"
Cows	10" - 12"	31" - 33"	144"

STAINLESS TIP TANK WATERER

Installation specs and dimensions

Chart #3

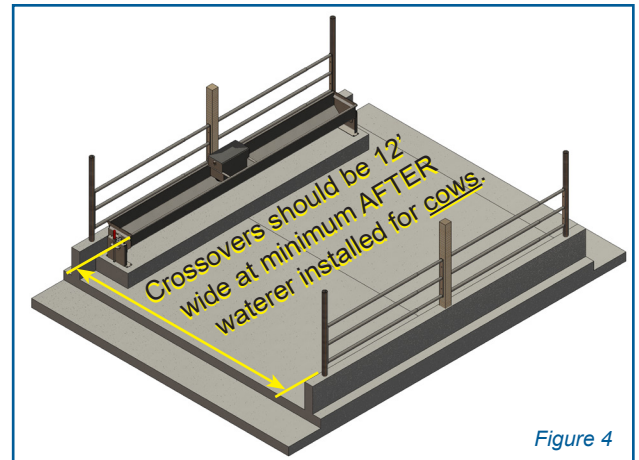
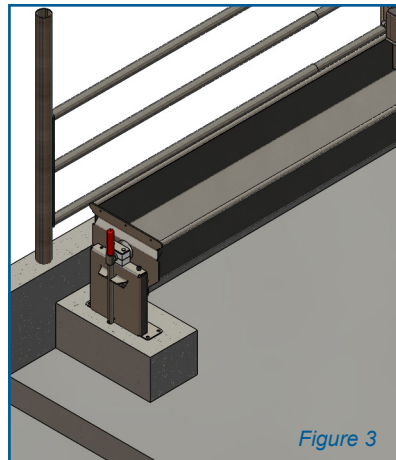
TIP TANK DIMENSIONS							
Item #	Tank Length	*Overall Length (Inc. Hardware)	*Height (w/o back splash kit)	Depth	Drinking Height	Tank Capacity (Full)	Corresponding Back Splash Kit
3W02200	4'	58"	27"	19"	21"	38 gallons	3W03000
3W02250	6'	82"	27"	19"	21"	57 gallons	3W03100
3W02300	8'	106"	27"	19"	21"	76 gallons	3W03200
3W02350	10'	130"	27"	19"	21"	95 gallons	3W03300
3W02400	12'	154"	27"	19"	21"	114 gallons	3W03400
3W02450	14'	178"	27"	19"	21"	133 gallons	3W03500

*Dimension includes installed SS Tip Tank Leg Kit (3W02000) and SS Tip Tank Valve Box Kit (3W02100)

Smaller Pads

While Seneca recommends pouring a full pad to help keep manure and debris from becoming flushed back and under the tip tank, some contractors opt to pour smaller pads where the tip tank feet bolt down.

BE CAREFUL, you must still maintain a minimum 2.5" from the edge of the foot to the edge of the concrete so locating the pads properly can be a challenge.



Options

BACKSPLASH KIT: Depending on what is located behind your waterer, you may need to install an optional backsplash. (Chart #3 above lists the backsplash part number for each Seneca Tip Tank model)

DE-ICER KIT: If you are located in a colder climate you may want to install a de-icer kit on your Tip Tank. This can be done any time after installation. (Part# 3W00400)

