

Fabric Doors

SENECA
DAIRY SYSTEMS



Innovation - Experience - Support
POWERED BY SENECA IRON WORKS

5DOC31300

INSTALLATION MANUAL



Table of Contents

- 1.1 Fabric Door Sizing Guide..... Page 1
- 1.2 Fabric Door-Wall Preparation..... Page 2
- 1.3 Fabric Door Installation..... Page 3
 - 1.3.1 Door Track Mounting..... Page 3
 - 1.3.2 Horizontal Pipe Preparation..... Page 4
 - 1.3.3 Fabric Mounting..... Page 5
 - 1.3.4 Hand Winch and Pulley Mounting..... Page 6
 - 1.3.5 Cable Installation-Hand Crank..... Page 6
- 1.4 Testing..... Back



Seneca Dairy Systems, LLC.

Contact us for Support:
(315) 712-0118

support@senecadairysystems.com

(888) 3-SENECA

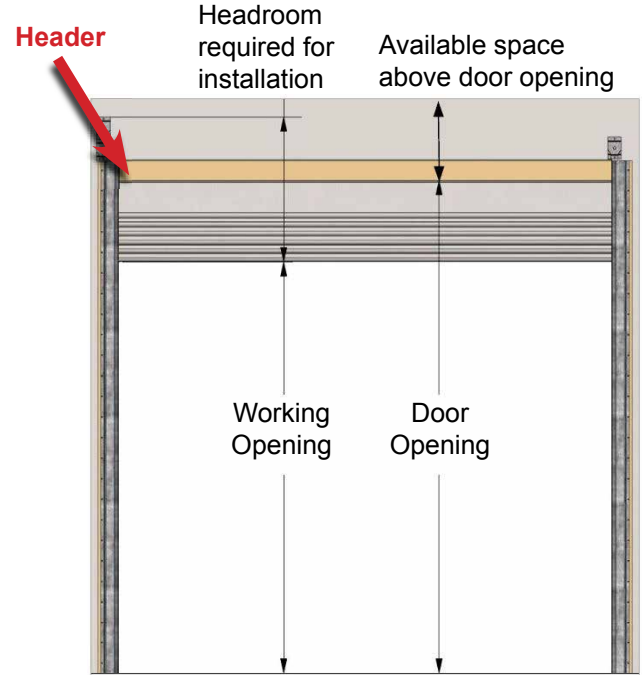
Revision 1

1.1 Fabric Door Sizing Guide

Step 1: Determine door opening and available space above door opening.

Step 2: Based on available space above door and door opening, use tables to determine working opening from your combination of door opening and available headroom.

Step 3: Determine required cross tube diameter based on door width.



Fabric Door Headroom Requirements for Full Use of Door Opening

Door Opening	Headroom Requirement	Fabric Height
8' or Less	3' 6"	12'
>8' to 10'	3' 9"	12'
>10' to 12'	4'	14'
>12' to 14'	4' 3"	16'
>14' to 16'	4' 6"	18'

Cross Tube Diameter

Tube Size	Door Width
1.900"	Less than 14'
2.375"	14' or greater

Working Opening Based on Headroom

Available Headroom	Measured Door Opening								
	8'	9'	10'	11'	12'	13'	14'	15'	16'
6"	5'	5' 9"	6' 9"	7' 6"	8' 6"	9' 3"	10' 3"	11'	12' 3"
1'	5' 6"	6' 3"	7' 3"	8'	9'	9' 9"	10' 9"	11' 6"	12' 9"
1' 6"	6'	6' 9"	7' 9"	8' 6"	9' 6"	10' 3"	11' 3"	12'	13' 3"
2'	6' 6"	7' 3"	8' 3"	9'	10'	10' 9"	11' 9"	12' 6"	13' 9"
2' 6"	7'	7' 9"	8' 9"	9' 6"	10' 6"	11' 3"	12' 3"	13'	14' 3"
3'	7' 6"	8' 3"	9' 3"	10'	11'	11' 9"	12' 9"	13' 6"	14' 9"
3' 6"	FULL	8' 9"	9' 9"	10' 6"	11' 6"	12' 3"	13' 3"	14'	15' 3"
4'	N/A	FULL	FULL	FULL	FULL	12' 9"	13' 9"	14' 6"	15' 9"

1.2 Fabric Door - Wall Preparation

Step 1: Determined desired mount configuration.

- Exterior- above doorway
- Exterior- below doorway
- Interior- above doorway
- Interior- below doorway

Step 2: For above doorway installations, determine header mount height from table.

- Distance is from door opening to bottom of header

Step 3: Mount Header

- For manual winch- 2" x 6"

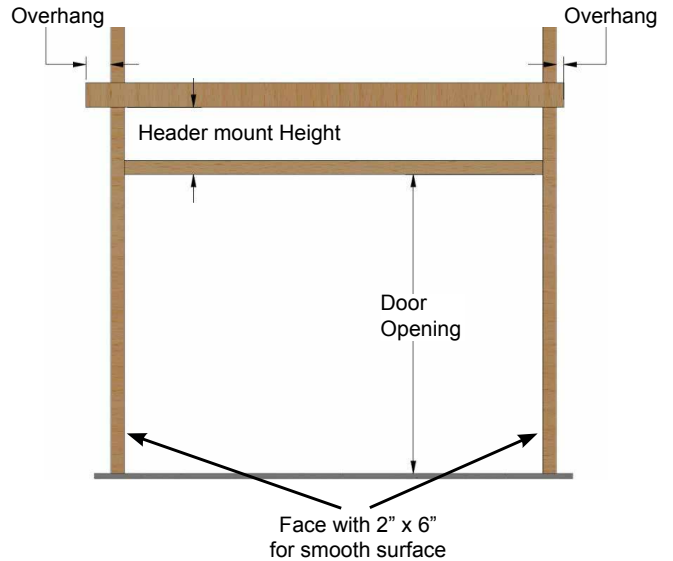
Step 4: Mount 2"x 6" boards vertically on the door jamb for a smooth contact surface. For manual winch configuration, mount above header as well for flush pulley installation.

Step 5: For exterior mount locations, above doorway, install backer plywood between header board and door opening.

Note: *In some doorway scenarios, this preparation technique may not be practical. Other non-approved techniques may be used if they satisfy the following conditions:*

- **Securely fasten hardware to wall**
- **Create a smooth flat surface for fabric**
- **Properly align cables, pulleys, shafts, etc.**
- **Create desired finished working opening**

In these scenerios, the installer should use their best judgement to insure safe and functional operation of door.



Header Mount Height

Door Opening	Headroom Requirement
8' or Less	2'
>8' to 10'	2' 3"
>10' to 12'	2' 6"
>12' to 14'	3' 9"
>14' to 16'	3'

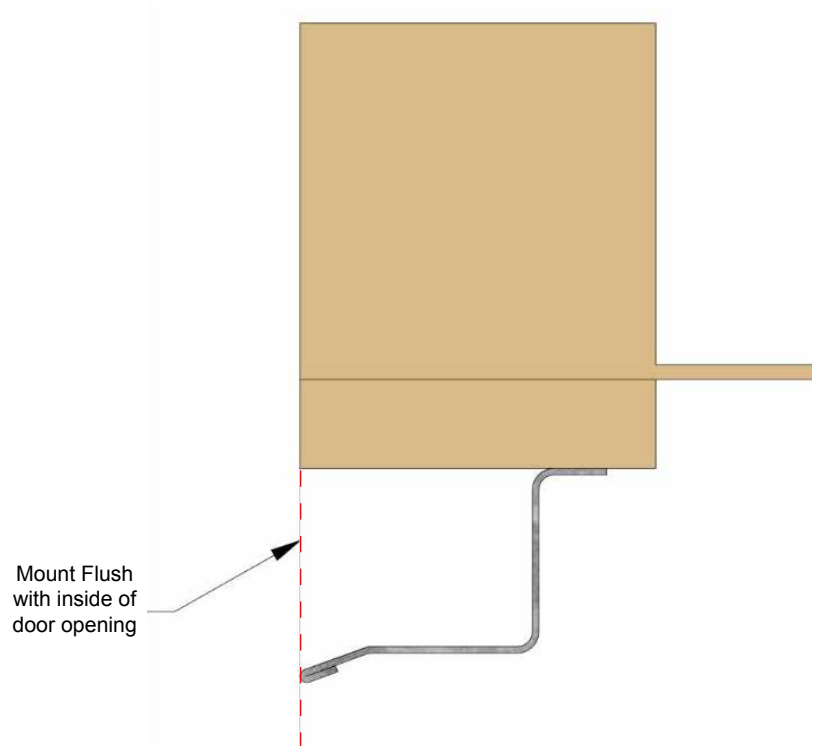
1.3 Fabric Door Installation

6.3.1 Door Track Mounting

Step 1: Align the rolled edge of the door track flush with the inside opening (see figure).

Step 2: Lag to the door frame with $\frac{1}{4}$ " x $1\frac{1}{2}$ " lag bolts.

Step 3: Trim track at top of header if required.



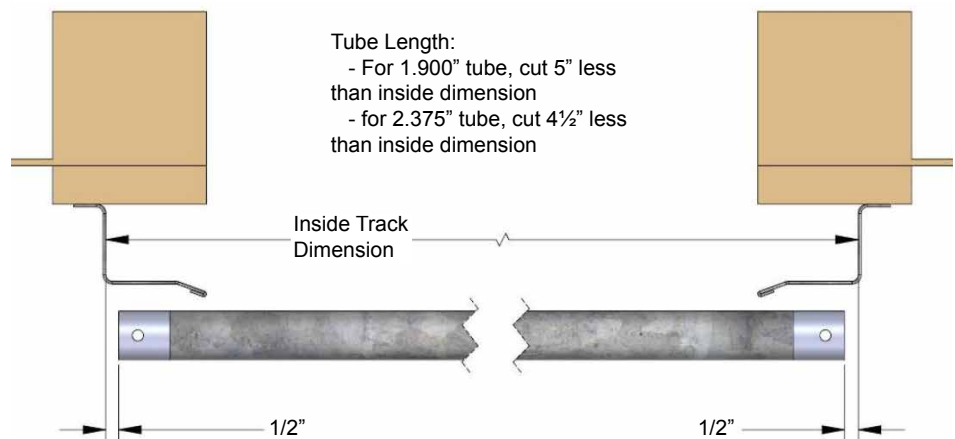
6.3.2 Horizontal Pipe Preparation

Step 1: Measure the distance between the inside of the tracks.

Step 2: Cut tubes to size.

- For 1.900" tube, cut 5" less than inside dimension
- For 2.375" tube, cut $4\frac{1}{2}$ " less than inside dimension

Step 3: Remove burrs using a conical rotary file from inside and outside of pipe as well as from the bell ends.



6.3.2 Horizontal Pipe Preparation

Step 1: Determine proper fabric width that will fit between cables with 1/2" clearance on either side. This will be:

$$\text{Tube Length} + 1" = \text{Fabric Width}$$

Step 2: Layout and cut fabric to width

Step 3: Cut a 2"x 6" board the width of the fabric

Step 4: Lay the 2"x 6" on the edge of fabric and fold the fabric over the 2"x 6" Staple in place for ease of installation.

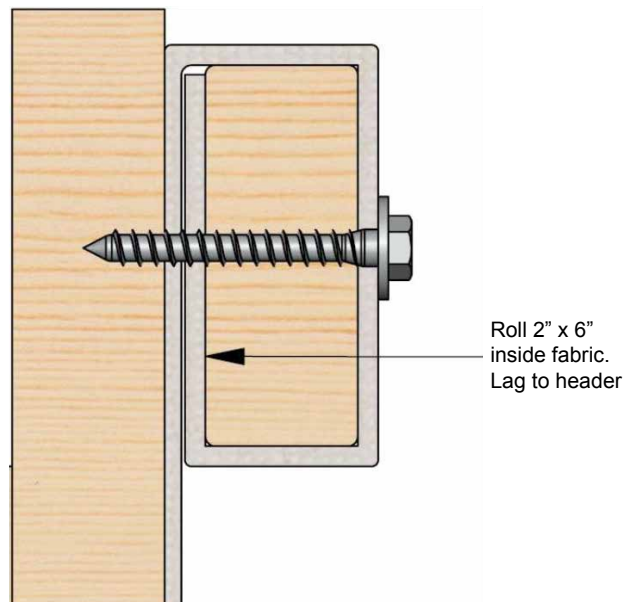
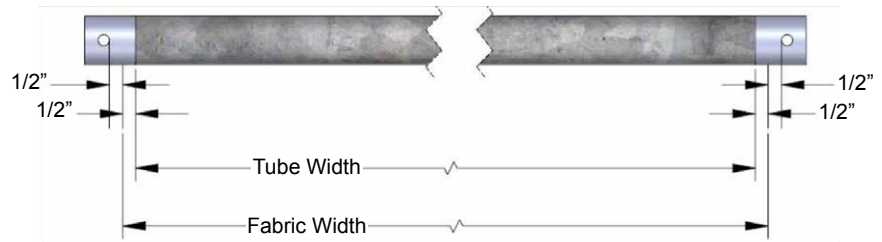
Step 5: Roll the 2"x 6" over one or more times to create desired rough height.

Note: Use care to get a tight, even roll of fabric on the 2"x 6". This help the fabric hang evenly without wrinkles.

Step 6: Mount the 2"x 6" centered between door tracks on the header board with 1/4" x 4" lag bolts with fender washers.

Step 7: Slide the tubes into the fabric pockets. Use care to avoid cutting or tearing the fabric with sharp edges.

Step 8: Insert bell ends into tubes. Do not put inside door track yet.



6.3.4 Hand Winch and Pulley Mounting

Step 1: Mount a pulley directly above each door track so cable will be vertically aligned with bell end holes. Use $\frac{1}{4}$ " x $1\frac{1}{2}$ " lag bolts with washers.

Step 2: Mount third pulley above lower pulley on winch side of the door

Step 3: Assemble winch per separate included winch instructions.

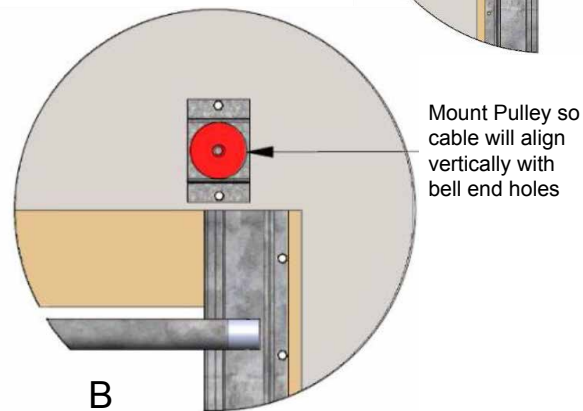
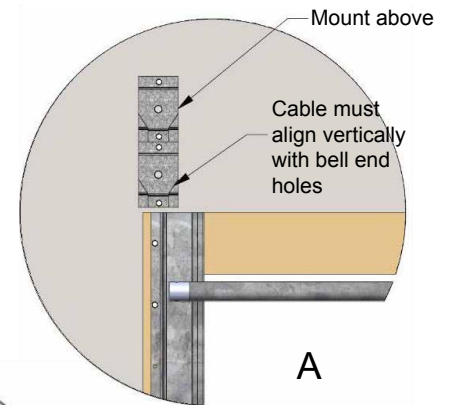
Step 4: Attach winch mount plate to post in convenient location. Lag to post with:

- $\frac{3}{8}$ " x 4" Lags for 1.900" Tubes
- $\frac{1}{2}$ " x 4" Lags for 2.375" Tubes

Note: The distance from the winch to the first pulley must be greater than the door opening for adequate cable clamp clearance. Prior to mounting, be sure location will not cause interference (see figure).

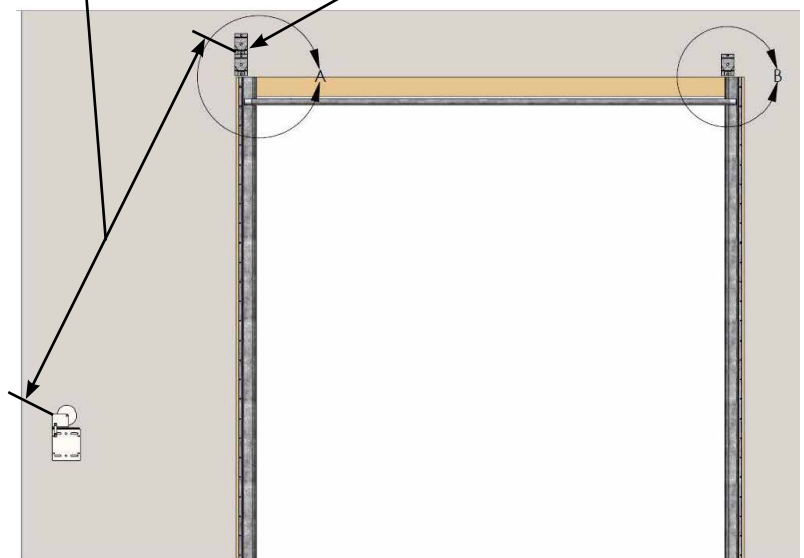
Note: If it is desirable to mount the winch closer to the door, the near side pulleys may be moved higher on the barn wall. This will allow the winch to move closer to the doorway.

Step 5: Bolt winch to mount plate.



This Distance MUST be greater than door opening for cable clamp clearance

May be mounted higher to allow winch to be moved closer to door way



6.3.5 Cable Installation-Hand Crank

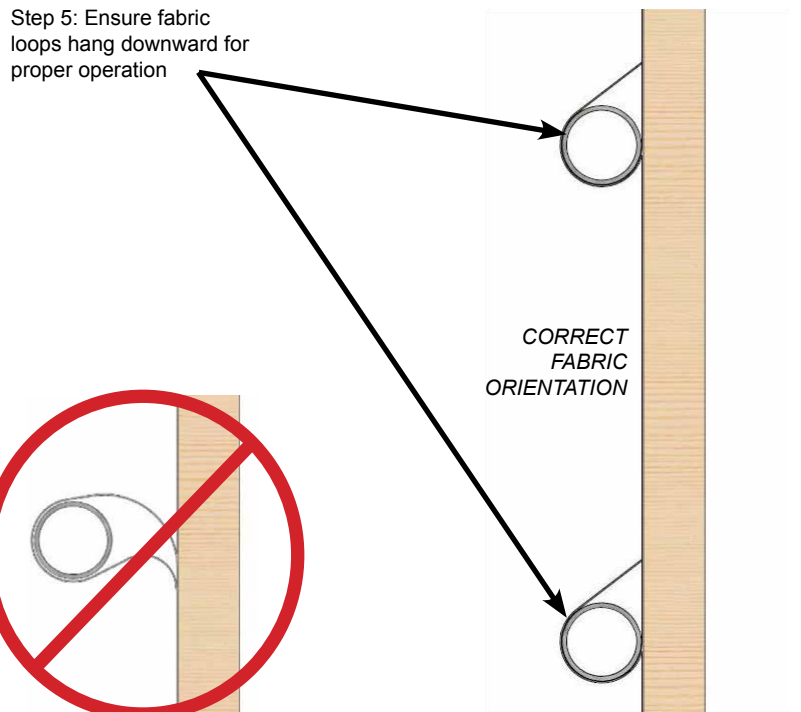
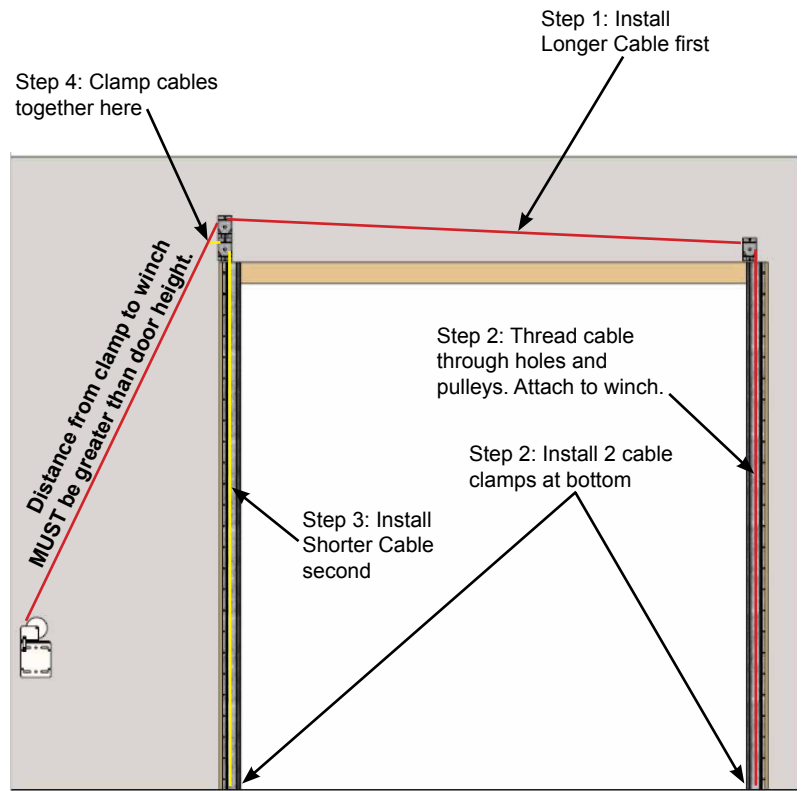
Step 1: Start with the door side furthest from the winch. This will be the longer cable. Measure and cut cable to approximate length.

Step 2: Thread cable up through bell end holes, pulleys and back to winch. Secure below bottom pipe with two cable clamps. Secure cable to winch per winch instructions.

Step 3: For the door side nearest the winch, thread cable up through bell end holes and around lower pulley. Secure cable below bottom pipe with two cable clamps.

Step 4: Clamp cable from near side door (shorter cable) to long cable with 2 cable clamps. Ensure the distance from the cable clamp to the winch is greater than door opening.

Step 5: Starting at the bottom, place horizontal tubes inside track by raising one side enough for them to fit through opening. Ensure the fabric loop hangs down so tubes will not bind when the door is raised.



**INCORRECT
FABRIC
ORIENTATION**

1.4 Testing

- Raise and lower the door several times to make sure all the tubes move freely inside track.
- Check to see that the door raises up evenly and “chitches” tight at the top for full working height. Adjust if required.
- For electric lifts, check the cable for good rollup on the jack shaft when raised.



Seneca Dairy Systems, LLC.
Seneca Falls, NY
senecadairysystems.com

MORE THAN A SUPPLIER, A PARTNER.